

DWG. NO.  
SD-5219-06A

SIMILAR ITEM

PDR. NO.

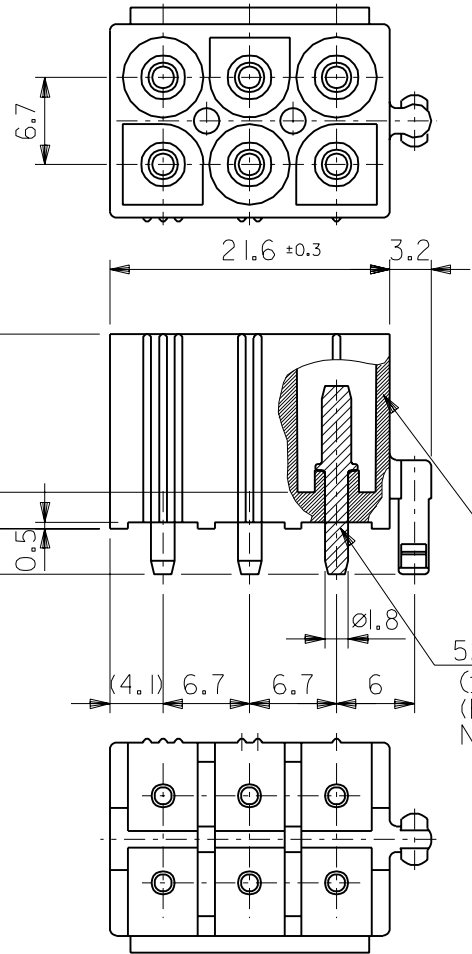
c

B

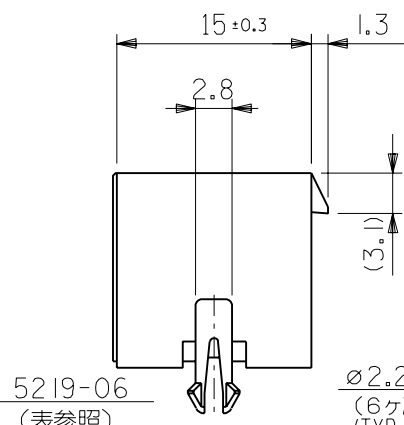
DO NOT SCALE DRAWING

角度 ANGLE	± 3°
30 以上 OVER	±0.3
10 以上 OVER 30 未満 UNDER	±0.25
10 未満 UNDER	±0.2
一般公差 GENERAL TOLERANCES	

EC NO. DRWN: CHK: APPR:	EC NO. DRWN: CHK: APPR:	EC NO. DRWN: CHK: APPR:	EC NO. DRWN: CHK: APPR:	REDRAWN '00/5/30 EC No. JC2000-0788 DRWN: K. KOHAMA CHK: M. FUKUSHIMA APPR: M. FUKUSHIMA	MATERIAL
				J	図中記 SEE CHART
				REV	

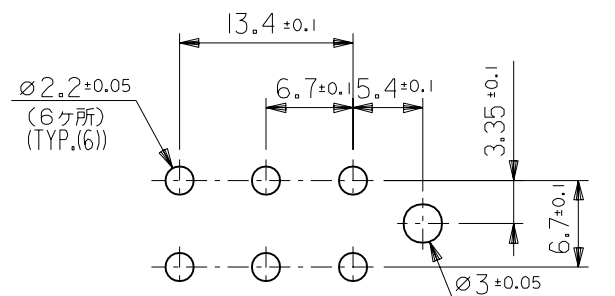


注記:  
NOTES:  
I. 適合リセプタクルハウジング: 3191-06R\*  
TO BE MATED WITH RECEPTACLE  
HOUSING : 3191-06R\*



5219-06  
(表参照)  
(SEE CHART)

5218  
(黄銅, ニッケル下地錫メッキ)  
(BRASS, TIN OVER  
NICKEL PLATING)



基板取付穴推奨寸法  
RECOMMENDED P.C. BOARD HOLE DIMENSIONS

5219-06A	15-31-1066	NYLON66,94V-2
ENG. NO.	EDP NO.	ハウジングの材質 MATERIAL

GENERAL TOLERANCES: (UNLESS SPECIFIED) DIM. : ±0.1 ANGLE : ±1°	SCALE 2 : 1	DESIGN UNITS <input checked="" type="checkbox"/> mm <input type="checkbox"/> INCH	THIRD ANGLE PROJECTION <input type="checkbox"/> mm <input type="checkbox"/> INCH <input checked="" type="checkbox"/> mm ONLY	SHT	REV
	QUALITY SYMBOLS ■ : CRITICAL ▽ : ZERO DEFECT ☒ : MAJOR ▽ : S.P.C.	DRAWN BY & DATE K. KOHAMA '00/5/30		CHECKED BY & DATE M. FUKUSHIMA '00/5/30	TITLE: NEW INTERNATIONAL CONNECTOR 6 POS. HEADER
APPROVED BY & DATE M. FUKUSHIMA '00/5/30		MATERIAL NO. SEE CHART		DRAWING NO. SD-5219-06A	
CAD FILENAME SD521906A.S01		MATERIAL NO. SEE CHART		DRAWING NO. SD-5219-06A	
THIS DRAWING CONTAINS INFORMATION THAT IS PROPRIETARY TO MOLEX INCORPORATED AND SHOULD NOT BE USED WITHOUT WRITTEN PERMISSION.				SHEET NO. 1 OF 1	
				SIZE A	